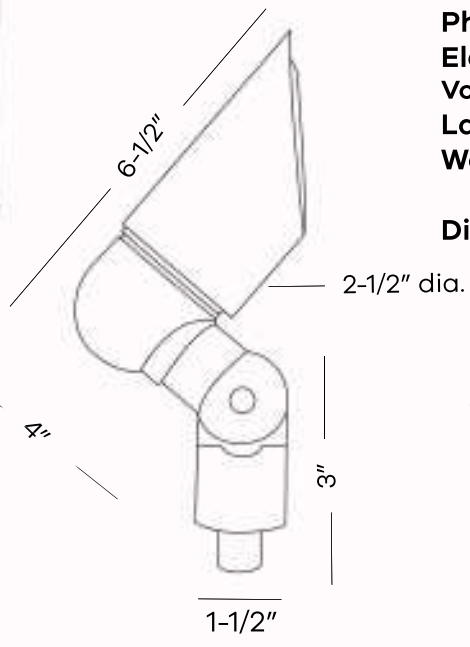


Fixture Specifications

Project Name: _____
 Location: _____
 Finish: _____
 Qty: _____
 Comments: _____



BZ



Model **SmallFlood** Part# A212

Features

- Field replaceable LED lamp
- Porcelain Bi-Pin socket
- 1/2" NPT fittings/stakes
- 36" 18/2 SPT fixture lead
- 7" SuperStake

Specifications

- Material options** Cast aluminum
- Lamp** 3w, 5w or 7w MR16 LED
160, 320 or 525 lumen
15°, 38°, 60° or 120° beam angles
2850K or 4150K
- Photometrics** CRI >80
- Electrical** 12 volt AC/DC
- Voltage** 11-13V
- Lamp Socket** G4 bi-pin
- Weight** 1-1/2 lbs.

Dimensions: 2-1/2" dia., 7" tall x 6-1/2" long

Small Flood EarthTone Colors

