

# Fixture Specifications

Project Name: \_\_\_\_\_  
 Location: \_\_\_\_\_  
 Finish: \_\_\_\_\_  
 Qty: \_\_\_\_\_  
 Comments: \_\_\_\_\_



## Model **LEDGE** series Part# DL511, DL1011 & DL1511

### Features

- Field replaceable bi-pin LED lamp
- 304 Stainless Steel construction
- Frosted glass included
- Available with or without mortar plates
- Made in U.S.A.

### Specifications

**Material options** Stainless steel housing & mortar plate, copper or S/S valance

**Lamp:** 1w LED encapsulated COB  
 110 lumen WW  
 2700K/WW

**Photometrics** CRI >80

**Electrical** 12 volt AC/DC

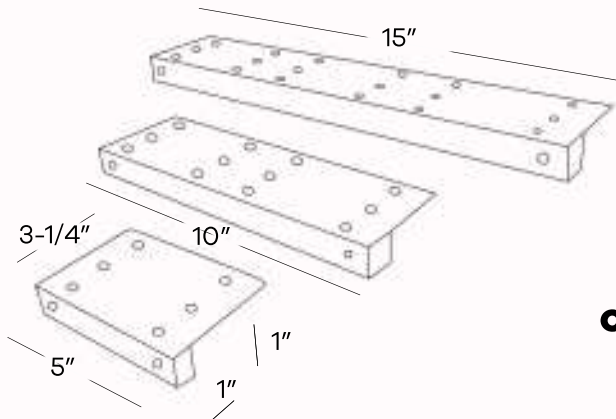
**Voltage** 11-13V

**Lamp Socket** Porcelain bi-pin

**Fixture Lead** 60", 18/2 SPT

**Weight** 1-2 lbs.

**Dimensions:** **DL511** 5"w x 1"h x 1" D  
**DL1011** 10"w x 1"h x 1" D  
**DL1511** 15"w x 1"h x 1" D



**Copper**

**BSST**

**BK**

**RR**

**MR**

**BS**

**BZT**

**WH**

**ORBZ**

**SS**

