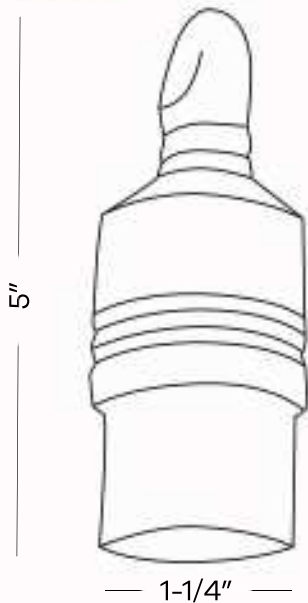


## Fixture Specifications



Project Name: \_\_\_\_\_

Location: \_\_\_\_\_

Finish: \_\_\_\_\_

Qty: \_\_\_\_\_

Comments: \_\_\_\_\_

## Model Hanging Copper Part# HC125

### Features

Field replaceable bi-pin LED lamp  
Cast Aluminum, solid brass or stamped copper  
Adjustable visor height  
Includes mounting hook & 2 cable ties

### Specifications

**Material options** solid copper & brass

**Lamp:** 2.5w MR8 LED

110 lumen WW

2700K/WW

38° or 80° beam angle options

**Photometrics** CRI >80

**Electrical** 12 volt AC/DC

**Voltage** 11-13V

**Lamp Socket** Porcelain bi-pin

**Fixture Lead** 25ft., 18/2 SPT

**Weight** 1/2 lbs.

**Dimensions:** 1-1/4" dia. x 5"t