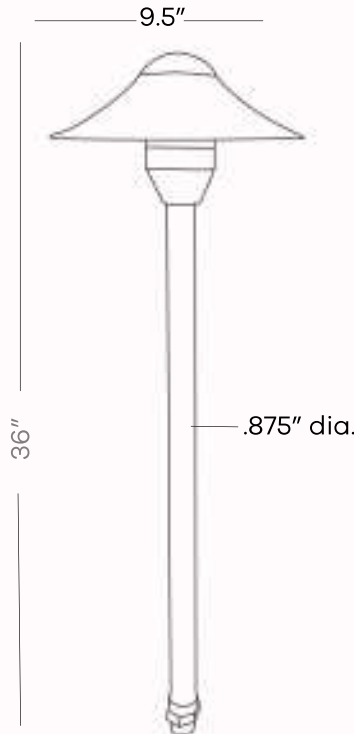


# Fixture Specifications

Project Name: \_\_\_\_\_  
 Location: \_\_\_\_\_  
 Finish: \_\_\_\_\_  
 Qty: \_\_\_\_\_  
 Comments: \_\_\_\_\_



## Model Zumbra Max Part# GC9578

### Features

- Field replaceable LED lamp
- Porcelain Bi-Pin socket
- 2 piece toolless fixture
- 1/2" NPT fittings/stakes
- 7" SuperStake
- 24" 18/2 SPT fixture lead

### Specifications

**Material options** Copper, rust steel

**Lamp** 4w LEDCap-COB  
 520 lumen  
 2700K or 4000K

**Photometrics** CRI >80

**Electrical** 12 volt AC/DC

**Voltage** 11-15V

**Lamp Socket** G4 bi-pin

**Weight** 6-1/2 lbs.

**Light Radius** 22ft.

**Dimensions:** 9-1/2" dia top hood,  
 7/8" dia. x 32" riser std.

### Natural Metal Options

