

Fixture Specifications

Project Name: _____
 Location: _____
 Finish: _____
 Qty: _____
 Comments: _____



solid brass housing

Model **Hardscape | Well** Part# HS240

Features

- Field replaceable LED lamp
- MR16 LED
- 25ft. 18/2 W-SJT fixture lead
- Stainless steel adjustable LED bracket
- Brass fixture housing
- Aluminum/powdercoat flat, domed or louvered
- Pour tube with 1/2" terminal adapters
- Rubber expansion fixture ring

Specifications

Material Brass housing, plastic burial tube

Lamp: 1w, 3w, 5w or 7w MR16 LED
 600 or 900 lumen WW or 920 lumen W
 15°, 38°, 60° or 120° beam angles
 2700K/WW, 4000K/W

Photometrics CRI >80

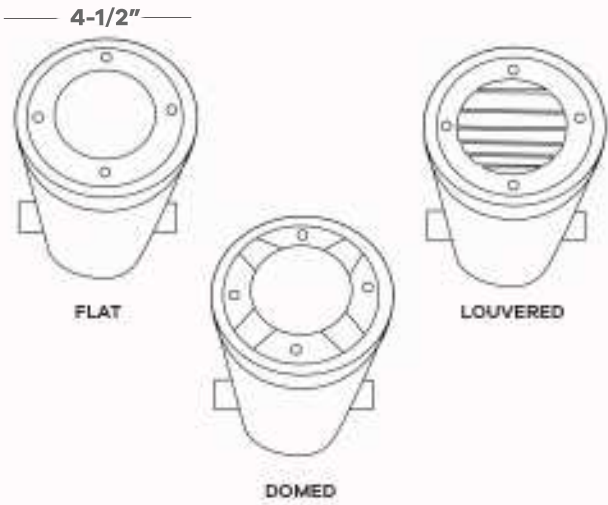
Electrical 12 volt AC/DC

Voltage 11-13V

Lamp Socket Porcelain bi-pin

Weight 1-1/2 lbs.

Dimensions: 4-1/2" O.D. x 9" t



HARDSCAPE SERIES

Powder Coat Colors

