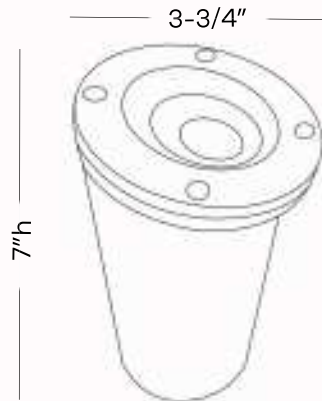


Fixture Specifications



solid brass housing



MR16 ADJUSTABLE WELL

Project Name: _____

Location: _____

Finish: _____

Qty: _____

Comments: _____

Model MR16 **Adjustable Well** Part# LW240

Features

Field replaceable LED lamp
MR16 LED
Stainless steel adjustable LED bracket
Brass fixture housing
25ft. 18/2 W-SPT fixture lead
Brass flat top or visor top option

Specifications

Material Brass housing, plastic burial tube

Lamp: 1w, 3w, 5w or 7w MR16 LED

600 or 900 lumen WW or 920 lumen W

15°, 38°, 60° or 120° beam angles

2700K/WW, 4000K/W

Photometrics CRI >80

Electrical 12 volt AC/DC

Voltage 11-13V

Lamp Socket Porcelain bi-pin

Weight 1-1/2 lbs.

Dimensions: 3-3/4" dia. x 7" h