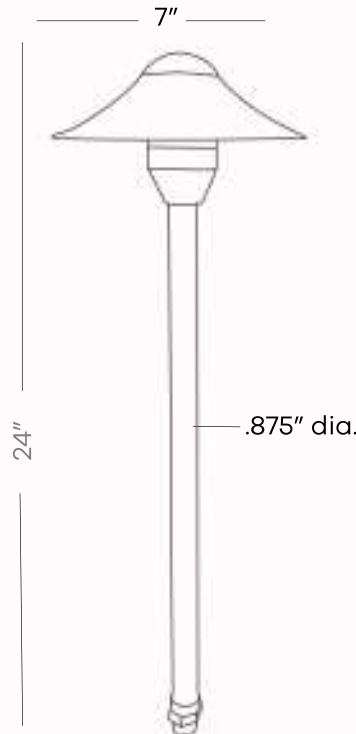


Fixture Specifications

Project Name: _____
 Location: _____
 Finish: _____
 Qty: _____
 Comments: _____



Model Zumbra Part# GC778

Features

- Field replaceable LED lamp
- Porcelain Bi-Pin socket
- 2 piece toolless fixture
- 1/2" NPT fittings/stakes
- 7" SuperStake
- 24" 18/2 SPT fixture lead

Specifications

Material options Copper, rust steel

Lamp 3w LEDCap-COB
 280 lumen
 2700K or 4000K

Photometrics CRI >80

Electrical 12 volt AC/DC

Voltage 11-15V

Lamp Socket G4 bi-pin

Weight 3-1/2 lbs.

Light Radius 16ft.

Dimensions: 7" dia top hood,
 7/8" dia. x 24" riser std.

Natural Metal Options



ORBZ

Copper

EarthTone Colors



MR, RR

BS

SS

BZT